

Fast, Gentle, Reliable, and Smart.



G4 Technology  
Information  
at your fingertips



SciCan

# STATIM<sup>®</sup> G4 Cassette Autoclaves

## Product Advice Sheet

Statim cassette autoclave recommended protocol for RE-commissioning unit after prolonged periods of inactivity.

 COLTENE

If your Statim unit has been idle for a prolonged period of inactivity, (e.g. for > 2 weeks) Scican recommend that a series of checks and set-up procedures are undertaken before the unit is returned to clinical use so that its operation will not compromise the efficacy of your instruments when first used.

The following procedure is based on the assumption that during the period of inactivity, the unit and its accessories have been dismantled and stored away from the clinical area. **If that is not the case, then certain parts of this procedure may be ignored.**

## 1. MAIN UNIT

**1.1.** Check that all the following component parts of the system are readily available.

- ▶ Statim main unit
- ▶ Cassette(s)
- ▶ Instrument rack for cassette
- ▶ Drying plates for cassette (5000 only)
- ▶ Power cord
- ▶ Waste bottle complete with lid, connector fitting and condenser
- ▶ Exhaust tube

**1.2.** If appropriate, relocate the main unit in the clinical area where it will be used.

**1.3.** Check the level of the unit and adjust if necessary.



The level bubble on Statim Classic unit is visible on the front, right hand side of the fascia.

**NOTE:** that the correct level is with the bubble in the '4 O'clock' position, NOT in the centre.



The level bubble on Statim G4 unit is an electronic level that is displayed on the touch screen when the correct menu selection is made. The menu order is:



### NOTE

**That the correct level is with the bubble in the '4 O'clock' position, NOT in the centre. It will be GREEN when in the correct position and RED when out of position.**

**1.4.** Before returning the unit to service, Scican recommend cleaning the external surfaces of the unit with **OPTIM™** Cleaning and Disinfection wipes. These have been tested on the external surfaces of Statim units and are compatible with the materials used.

### NOTE

**We do not recommend the use of any other type of chemical on the unit as they have not been tested. In the absence of OPTIM™ use a soft, lint free cloth moistened with soap and water to wipe down the surfaces. Dry the surfaces thoroughly after cleaning.**

**1.5. If appropriate,** reassemble the system components as follows;

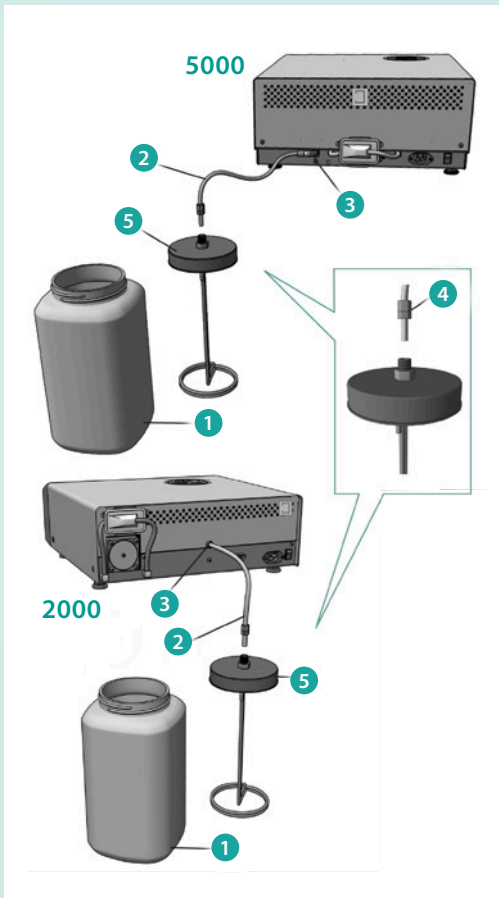
I. Insert the exhaust tube **2** into the fitting on the back of the unit **3** (ensure it is FULLY inserted) and pull gently to confirm a tight fit.

II. Insert the other end of the exhaust tube into the waste bottle fitting. Tighten the fitting **4** to ensure the exhaust tube is sealed in the fitting. Tip – at this stage it may be appropriate to check that all the parts of the fitting are tightened to ensure the condensing coil is not loose and a good seal is made with the lid.

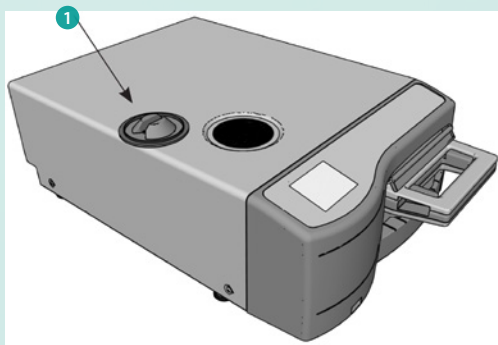
III. Fill the waste bottle **1** to the minimum level shown on the side of the bottle with water. (A low-level disinfectant, prepared according to the manufacturer's instructions, may be added to the waste bottle to prevent bacterial growth in the wastewater.)

IV. Attach (screw) the waste bottle **1** and lid assembly **5** together and locate the waste bottle assembly close to the unit but BELOW the unit.

**Check that the exhaust tube is not bent or kinked as this will restrict the flow of steam and condensate out of the unit.**



## 2a. REFILLING THE RESERVOIR

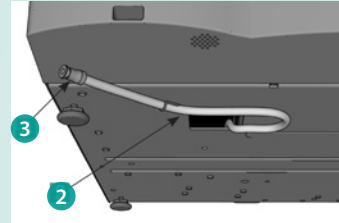


If the reservoir of the unit was drained and dried before the unit was decommissioned, proceed as follows:

- 2a 1 Remove the reservoir lid 1 (and filter if fitted) with up to 4 litres of fresh, steam distilled water.
- 2a 2 Check that the filter is clean, (if not, it may be cleaned by washing under running water) and re-inserting it in the reservoir.
- 2a 3 Replace reservoir lid.

## 2b. REFILLING THE RESERVOIR

If the reservoir of the unit was **NOT** drained and dried before the unit was decommissioned, proceed as follows:



2b 1 Move the unit to the edge of the work surface. The front leveller feet should be approximately 12 mm from the edge.

2b 2 Lift the front left corner of the unit

upward and remove the drain tube 2 from the clip located on the underside of the unit.

2b 3 Pull the drain tube outward so the free end can be positioned over a water container.

2b 4 Remove the plug 3 from the end of the drain tube and allow water to drain from the tube into the container.

2b 5 On the basis that the unit has been left with water in the reservoir for a long period of time it is recommended at this stage that the reservoir should be flushed with clean, fresh steam distilled water and allowed to drain through the drain tube until flow has stopped.

2b 6 Replace the stopper in the drain tube, lift the front left corner of the unit upward and reinsert the tube into the clip on the underside of the unit.

2b 7 Push the excess length of tubing back into the space provided.

2b 8 The reservoir may now be filled with up to 4 litres of fresh, steam distilled water as above.

## 3. CASSETTE PREPARATION

- 3.1. Open the cassette and check for residue. If it has not been cleaned during the decommissioning process, we recommend cleaning as follows before running the unit.
- 3.2. When cleaning, use a dishwashing soap, hand soap or a mild detergent that does not contain chlorine.
- 3.3. Scrub the inside and outside of the stainless-steel surfaces of the cassette with the detergent using a cleaning pad designed for use with non-stick coated surfaces to remove any residue. Avoid contact with the seal.



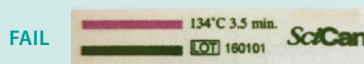
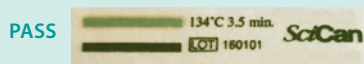
- 3.4. After scrubbing, rinse thoroughly with water to remove all traces of the detergent.
- 3.5. Coat the entire inside surface with STAT-DRI PLUS drying agent. This will induce water/condensate to form in an even coat on the inside surface, without beading. (The water in contact with the hot cassette surfaces also evaporates much more efficiently.)

#### 4. FIRST CYCLE AFTER DECOMMISSIONING

- 4.1. Ensure mains power lead is attached and plugged in and power ON the unit.
- 4.2. It is recommended that when the first cycle is run, and where appropriate to EN13060 compliant cycle units, the Statim Helix PCD test device is placed in the cassette to check the cycle is operating correctly before running the unit with an instrument load.



- 4.3. Place the cassette (with PCD) into the unit.
- 4.4. Run a "Wrapped Hollow" cycle and when the sterilisation phase is complete, **allow AT LEAST 30 minutes of air drying.**
- 4.5. Remove cassette, open, and check the integrity of the PCD integrator.



- 4.6. If any residue is evident in the cassette, clean the cassette as above and run a second cycle (without PCD).
- 4.7. If the integrator indicates a pass, the unit is now ready to run the appropriate cycle WITH load.

In the unlikely event that the unit faults for any reason that you cannot resolve by resetting and running another cycle, or the PCD shows a fail, please make a note of the fault and contact your local dealer's service department for advice.